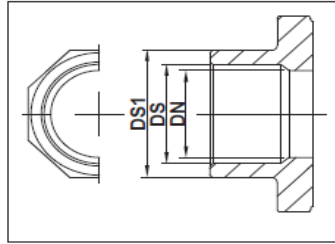


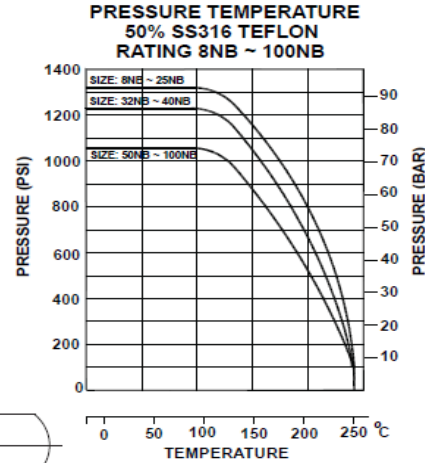
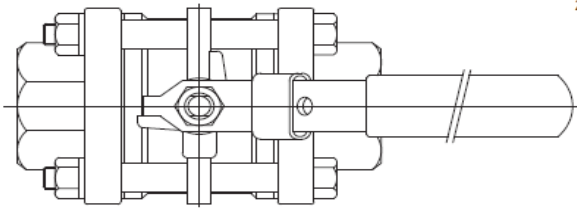


# MDA V3HT HIGH TEMP BALL VALVE DN08-100

3-PCE HIGH TEMP. BALL VALVE FB BSP ENDS LOCK. LEVER

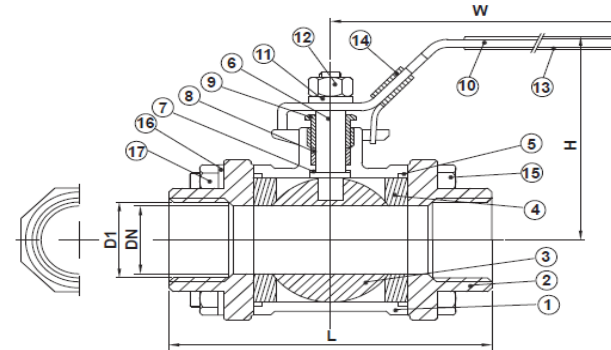


SOCKET WELD END



NO	PART NAME	MATERIAL
1	BODY	ASTM A351 CF8M
2	CAP	ASTM A351 CF8M
3	BALL	ASTM A351 CF8M
4	SEAT	50% SS316 + PTFE
5	JOINT GASKET	50% SS316 + PTFE
6	STEM	AISI 316
7	THRUST WASHER	50% SS316 + PTFE
8	STEM PACKING	50% SS316 + PTFE
9	GLAND NUT	AISI 304
10	HANDLE	AISI 304
11	STEM WASHER	AISI 304
12	STEM NUT	AISI 304
13	PLASTIC COVER	PLASTIC
14	LOCK DEVICE	AISI 304
15	BOLT	AISI 304
16	SPRING WASHER	AISI 304
17	HEX NUT	AISI 304

SIZE	DN	D1	H	W	L	DS	DS1	Cv Factor	Weight (kg)
8	11.6	14.1	51	105	58	14.1	19	6.6	0.4
10	12.7	17.6	51	105	58	17.6	22.5	7.9	0.4
15	15	21.7	55	125	62	21.7	27	11.2	0.58
20	20	27.1	59	125	75.5	27.1	33	21	0.75
25	25	33.8	73	160	86.5	33.8	40.2	34	1.08
32	32	42.6	78	160	100	42.6	48.8	57	1.85
40	38	48.7	91	190	115	48.7	55	80	2.6
50	50	61.1	99	190	131	61.1	67.2	148	3.94
65	65	76.9	130	245	162	76.9	86.4	265	8.06
80	80	89.8	142	245	183	89.8	103.3	415	13.35
100	100	115.4	174	325	232	115.4	130.7	780	24.55



Matthew Davis Australia P/L

102-104 Malcolm Road, Braeside Victoria 3195

Tel: 03 9580 0066 Fax: 03 9587 2829

[www.matthewdavis.com.au](http://www.matthewdavis.com.au) [sales1@matthewdavis.com.au](mailto:sales1@matthewdavis.com.au)