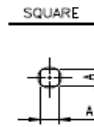
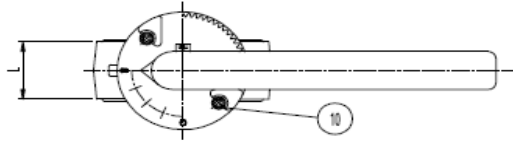
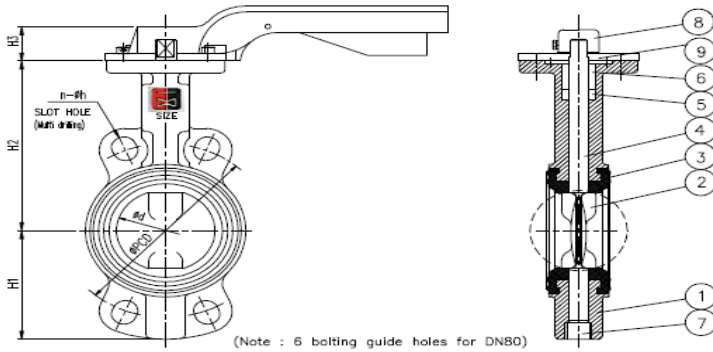




# MDA WAFER WMK BUTTERFLY VALVE T/E DN50-200 LEVER OP



CERT NO : WMKA20022



(Note : 6 bolting guide holes for DN80)



## VALVE DIMENSIONS

DN	D	PCD	N	H	L	H1	H2	H3/A
50 (2")	51.5	114	4	18	43	75	130	37/11x11
65 (2-1/2")	63.5	127	4	18	46	80	137	37/11x11
80 (3")	78	146	4	18	46	100	157	48/11x11
100 (4")	101.5	178	4/8	18	52	110	171	48/11x11
125 (5")	125	210	8	18	56	123	184	48/14x14
150 (6")	148	235	8	18/22	56	143	203	48/14x14
200 (8")	198	292	8	18/22	60	175	238	52/14x14

<b>1</b>	DI body	hammertone
<b>2</b>	Disc	SS CF8M
<b>3</b>	Seat	EPDM (H)
<b>4</b>	Stem	SS316
<b>5</b>	Packing	EPDM

<b>6</b>	Packing ring	Acetal
<b>7</b>	Plug	plated MS
<b>8</b>	Lever	Aluminium FBE
<b>9</b>	Indicator	Aluminium FBE
<b>10</b>	Bolt/Nut	SS304

### Specification:

MDA ductile iron hammer tone wafer Table E butterfly valve. Conforms to EN593, MSS SP67 & API609. Multi drilling AS2129 D/E, PN6/10/16, ANSI150 / KS, JIS 5K/10K.

### Pressure / Temperature:

Maximum working pressure of 1600kpa (16 bar), Maximum working temperature of -15 to +130 deg C.



**Matthew Davis Australia P/L**  
102-104 Malcolm Road, Braeside Victoria 3195  
Tel: 03 9580 0066 Fax: 03 9587 2829

[www.matthewdavis.com.au](http://www.matthewdavis.com.au) [sales1@matthewdavis.com.au](mailto:sales1@matthewdavis.com.au)