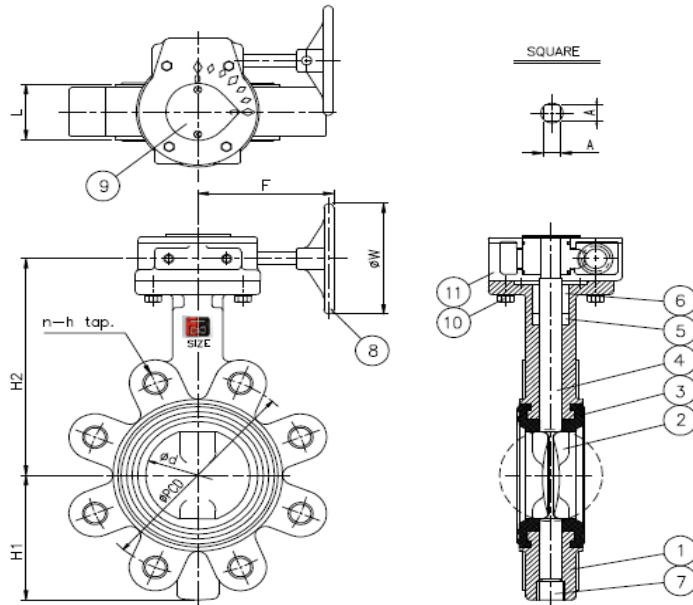




MDA LUGGED WMK BUTTERFLY VALVE T/E DN65-200 GEAR OP



WaterMark
CERT NO : WMKA20022



VALVE DIMENSIONS

DN	D	PCD	N	H	L	H1	H2/A	F	W
65	63.50	127.00	4	M16	46	80	205/11X11	165	150
80	78.00	146.00	4	M16	46	100	225/11X11	165	150
100	101.50	178.00	8	M16	52	110	235/11X11	165	150
125	125.00	210.00	8	M16	56	123	250/14X14	165	150
150	148.00	235.00	8	M20	56	143	270/14X14	165	150
200	198.00	292.00	8	M20	60	175	305/14X14	165	150

1	DI body	hammertone
2	Disc	SS CF8M
3	Seat	EPDM (H)
4	Stem	SS316
5	Packing	EPDM
6	Packing ring	Acetal

7	Plug	plated MS
8	Handwheel	Cast Iron
9	Indicator	Steel FBE
10	Bolt/Washer	SS304
11	Gear Box	CI/DI

Specification:

MDA ductile iron hammer tone lugged Table E butterfly valve c/w gear operator. Conforms to EN593, MSS SP67 & API609.

Pressure / Temperature:

Maximum working pressure of 1600kpa (16 bar), Maximum working temperature of -15 to +130 deg C.



Matthew Davis Australia P/L
102-104 Malcolm Road, Braeside Victoria 3195
Tel: 03 9580 0066 Fax: 03 9587 2829

www.matthewdavis.com.au sales1@matthewdavis.com.au