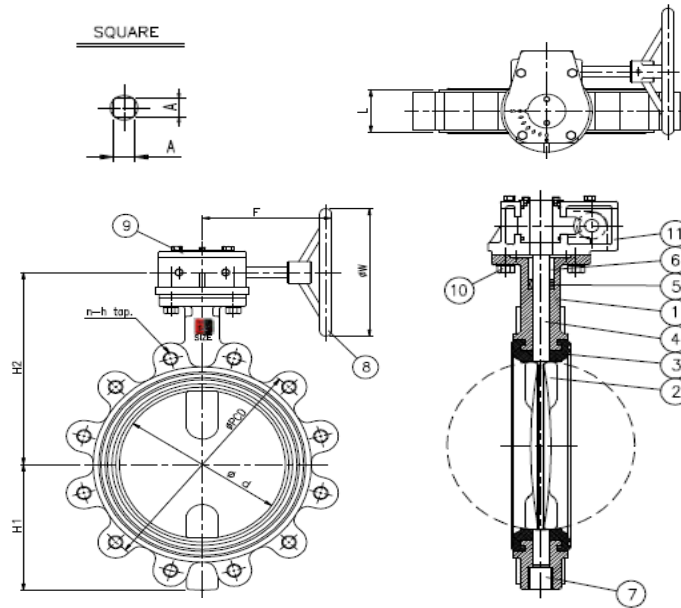




# MDA LUGGED WMK BUTTERFLY VALVE T/E DN250-450 GEAR OP



**WaterMark**  
CERT NO : WMKA20022



### VALVE DIMENSIONS

DN	D	PCD	N	H	L	H1	H2/A	F	W
250	248	356	8/12	22	68	210	315/17X17	195	250
300	298	406	12	22/26	78	245	355/22X22	195	250
350	346	470	12	26	78	280	375	195	250
400	395	521	12	26	102	315	425	280	300
450	452	584	12/16	26	114	335	450	280	300

<b>1</b>	DI body	hammertone
<b>2</b>	Disc	SS CF8M
<b>3</b>	Seat	EPDM (H)
<b>4</b>	Stem	SS316
<b>5</b>	Packing	EPDM
<b>6</b>	Packing ring	Acetal

<b>7</b>	Plug	plated MS
<b>8</b>	Handwheel	Cast Iron
<b>9</b>	Indicator	Steel FBE
<b>10</b>	Bolt/Washer	SS304
<b>11</b>	Gear Box	CI/DI

### Specification:

MDA ductile iron hammer tone lugged Table E butterfly valve c/w gear operator. Conforms to EN593, MSS SP67 & API609.

### Pressure / Temperature:

Maximum working pressure of 1600kpa (16 bar), Maximum working temperature of -15 to +130 deg C.



**Matthew Davis Australia P/L**  
102-104 Malcolm Road, Braeside Victoria 3195  
Tel: 03 9580 0066 Fax: 03 9587 2829

[www.matthewdavis.com.au](http://www.matthewdavis.com.au) [sales1@matthewdavis.com.au](mailto:sales1@matthewdavis.com.au)