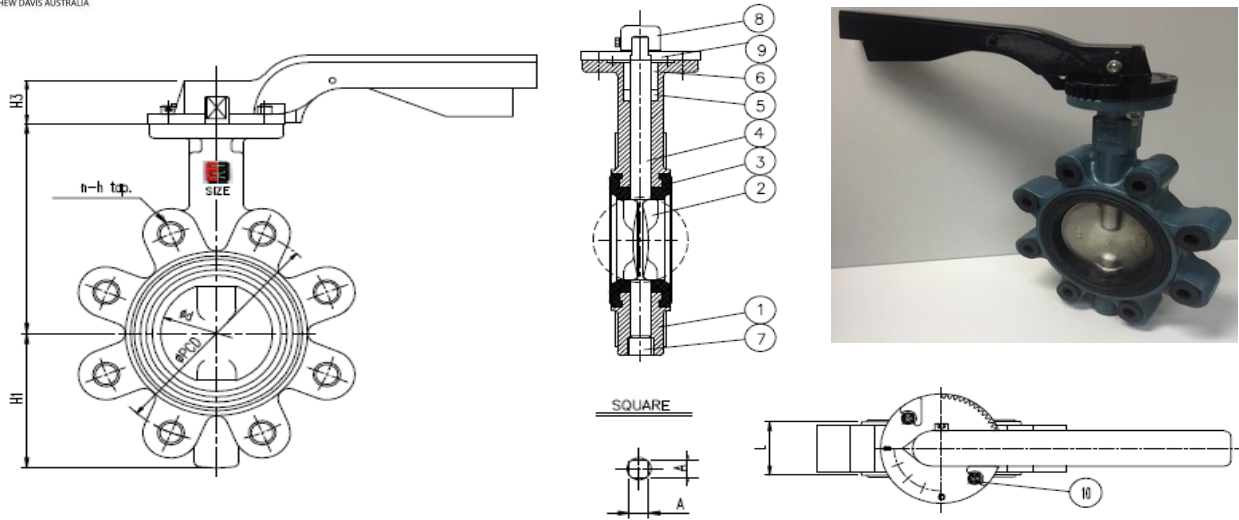




MDA LUGGED BUTTERFLY VALVE T/E DN50-200 LEVER OP



VALVE DIMENSIONS

DN	D	PCD	N	H	L	H1	H2	H3/A
50 (2")	51.5	114	4	M16	43	75	130	37/11X11
65 (2-1/2")	63.5	127	4	M16	46	80	137	37/11X11
80 (3")	78	146	4	M16	46	100	157	48/11X11
100 (4")	101.5	178	4/8	M16	52	110	171	48/11X11
125 (5")	125	210	8	M16	56	123	184	48/14X14
150 (6")	148	235	8	M20	56	143	203	48/14X14
200 (8")	198	292	8	M20	60	175	238	52/14X14

1	DI body	hammertone
2	Disc	SS CF8M
3	Seat	EPDM
4	Stem	SS316
5	Packing	EPDM

6	Packing ring	Acetal
7	Plug	plated MS
8	Lever	Aluminium FBE
9	Indicator	Aluminium FBE
10	Bolt/Nut	SS304

Specification:

MDA ductile iron hammer tone lugged Table E butterfly valve. Conforms to EN593, MSS SP67 & API609.

Pressure / Temperature:

Maximum working pressure of 1600kpa (16 bar), Maximum working temperature of -15 to +120 deg C.



Matthew Davis Australia P/L
 102-104 Malcolm Road, Braeside Victoria 3195
 Tel: 03 9580 0066 Fax: 03 9587 2829

www.matthewdavis.com.au sales1@matthewdavis.com.au