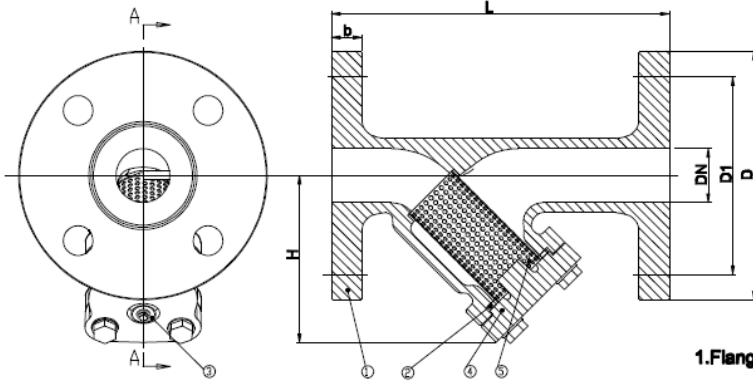




MDA CAST IRON Y STRAINER DN50/65/80



1. Flange drilling according to AS2129 Table E.

DN	Pressure Rating (PN)	PRESSURE TEST	
		Hydro-Test Pressure(Mpa)	
		Body	Seat
50-80	16	2.4	1.76

VALVE DIMENSIONS

DN	L	D	D1	B	n-d	H
50	225.4	150	114	15.8	4-18	150
65	273	165	127	17.5	4-18	160
80	292	185	146	19	4-18	200

1	BODY	Cast Iron
2	GASKET	EPDM
3	PLUG	Galv Steel
4	BONNET	Cast Iron
5	SCREEN	SS304

AS2129 Table E

DN	PCD	n-d
50	114	4-18
65	127	4-18
80	146	4-18

Specification:

MDA Cast Iron "Y" type strainer flanged to AS2129 Table E

Pressure / Temperature:

Maximum working pressure of 1600kpa at 20deg C
 Maximum working temperature of 95deg C @ 1400kpa
 Hydrostatically tested at 2400kpa (body), 1760kpa (seat)

Screen

Stainless steel mesh/basket 2.6mm perforations



Matthew Davis Australia P/L

102-104 Malcolm Road, Braeside Victoria 3195

Tel: 03 9580 0066 Fax: 03 9587 2829

www.matthewdavis.com.au sales1@matthewdavis.com.au