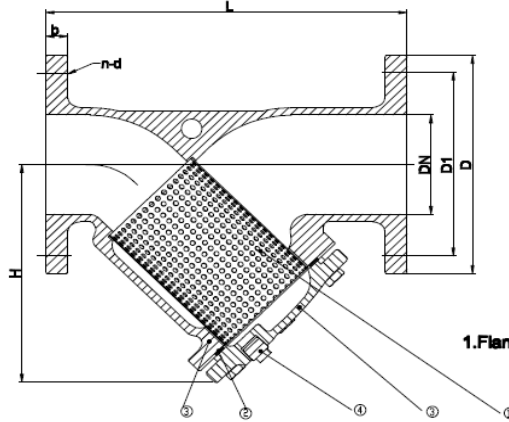
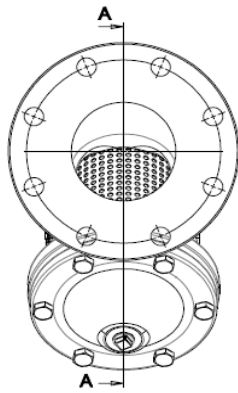




MDA CAST IRON Y STRAINER DN100-300



DN	Pressure Rating (PN)	PRESSURE TEST	
		Hydro-Test Pressure(Mpa)	
		Body	Seat
100-300	16	2.4	1.76

1.Flange drilling according to AS2129 Table E.

VALVE DIMENSIONS mm

DN	L	D	D1	B	n-d	H
100	352.4	215	178	23.9	8-18	240
125	416	255	210	23.9	8-18	290
150	470	280	235	25.4	8-22	330
200	543	335	292	28.5	8-22	380
250	660.4	405	356	30.2	12-22	480
300	762	455	406	31.8	12-26	550

1	BODY	Cast Iron
2	GASKET	EPDM
3	PLUG	Galv Steel
4	BONNET	Galv Steel
5	SCREEN	SS304

AS2129 Table E

DN	PCD	n-d
100	178	8-18
125	210	8-18
150	235	8-22
200	292	8-22
250	356	12-22
300	406	12-26

Specification:

MDA Cast Iron "Y" type strainer flanged to AS2129 Table E

Pressure / Temperature:

Maximum working pressure of 1600kpa at 20deg C

Maximum working temperature of 95deg C @ 1400kpa

Hydrostatically tested at 2400kpa (body), 1760kpa (seat)

Screen

Stainless steel mesh/basket 2.6mm perforations



Matthew Davis Australia P/L

102-104 Malcolm Road, Braeside Victoria 3195

Tel: 03 9580 0066 Fax: 03 9587 2829

www.matthewdavis.com.au sales1@matthewdavis.com.au